

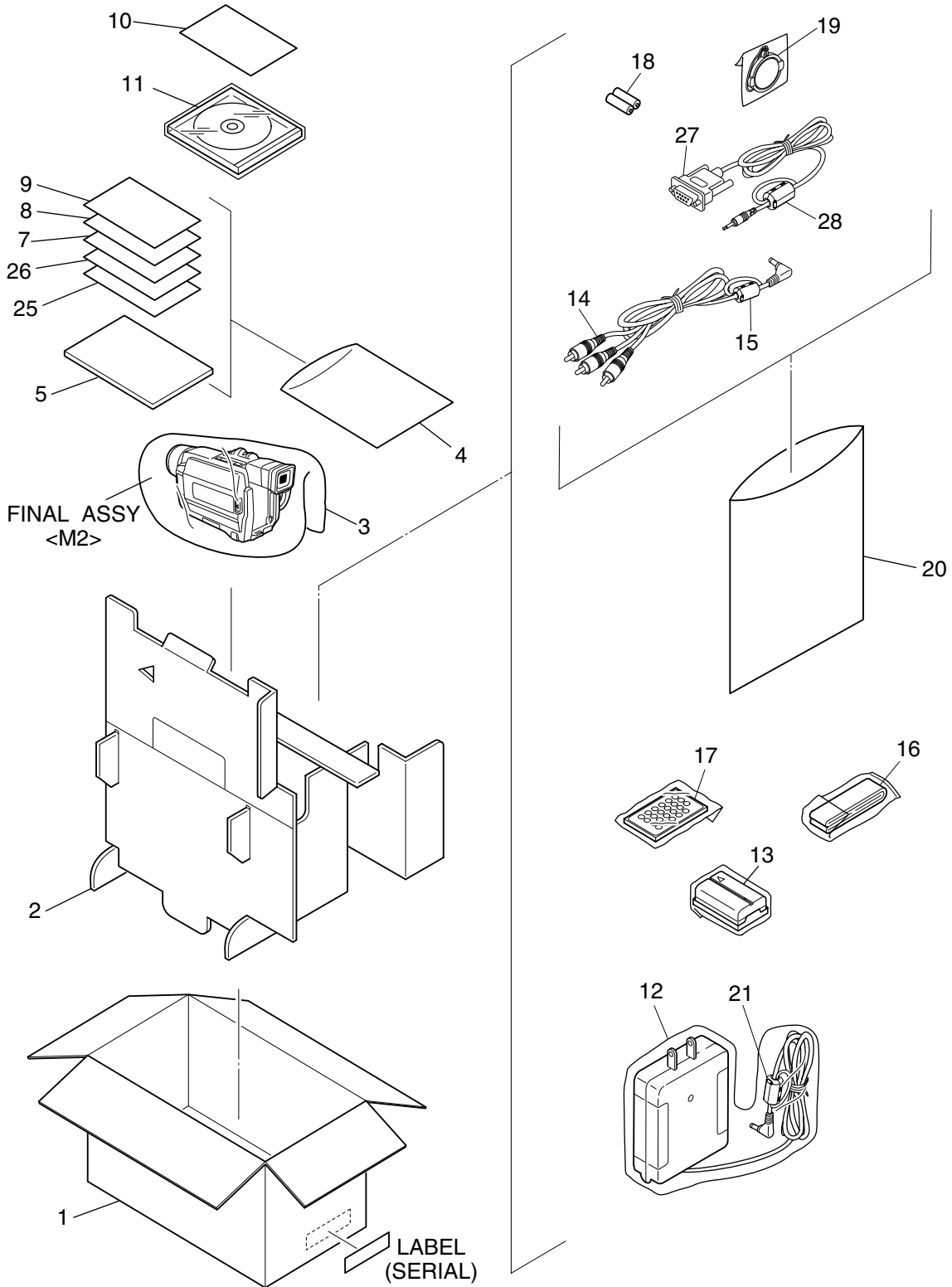
SECTION 5 PARTS LIST

SAFETY PRECAUTION

Parts identified by the \triangle symbol are critical for safety. Replace only with specified part numbers.

5.1 PACKING AND ACCESSORY ASSEMBLY <M1>

The instruction manual to be provided with this product will differ according to the destination.



△ REF No. PART No. PART NAME, DESCRIPTION

△ REF No. PART No. PART NAME, DESCRIPTION

PACKING AND ACCESSORY ASSEMBLY <M1>

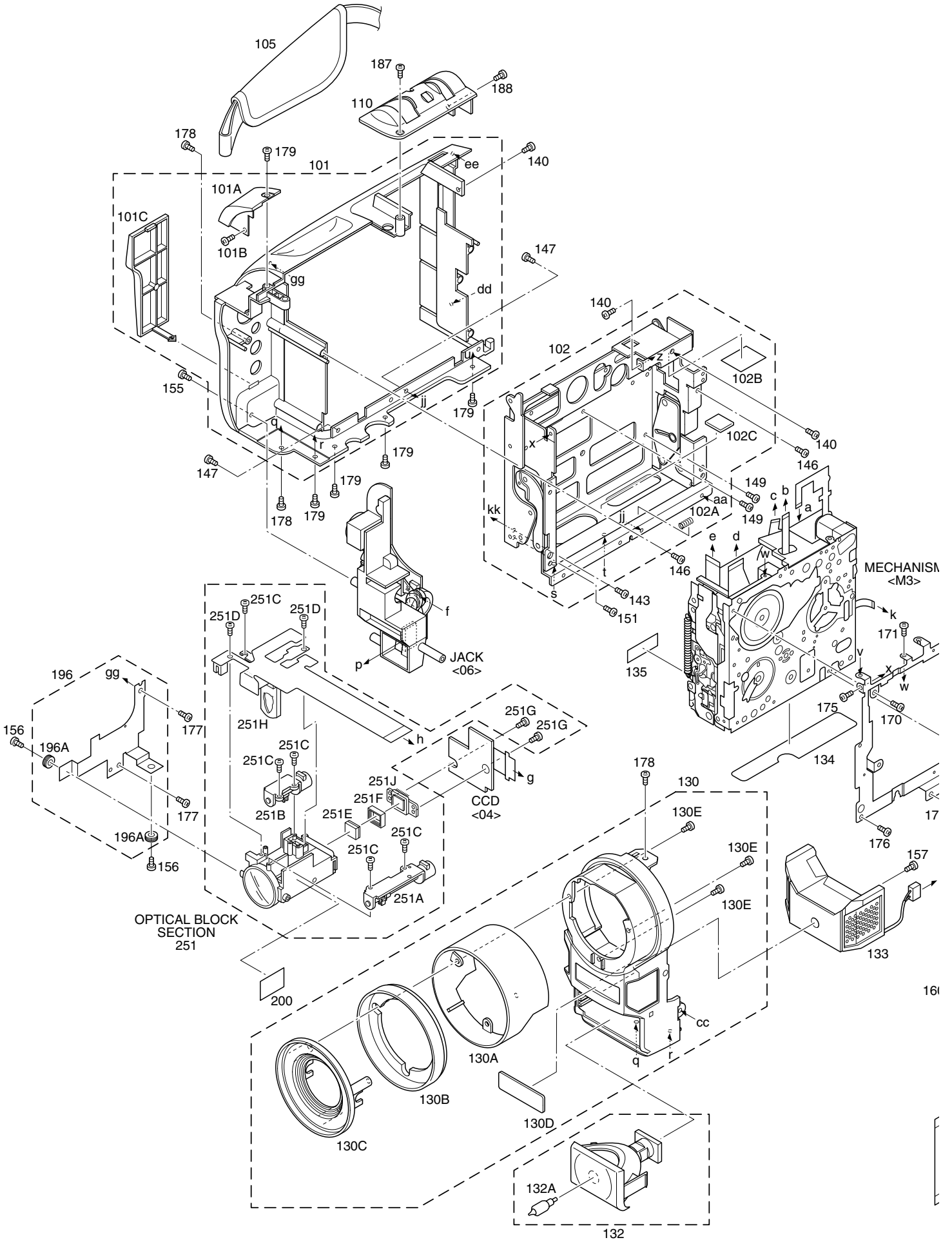
1	LY32095-002A	PACKING CASE,C
	LY32095-003A	PACKING CASE,A
	LY32095-004A	PACKING CASE,B
2	LY32096-001A	CUSHION
3	LY30023-008A	POLY BAG
4	QPA02003006	POLY BAG
△ 5	LYT0711-001A	INST.BOOK(EN),B,C
△	LYT0711-002A	INST.BOOK(FR),B,C
△	LYT0711-003A	INST.BOOK(SP),B,C
△	LYT0710-001A	INST.BOOK(EN),A
△	LYT0710-002A	INST.BOOK(FR),A
△	LYT0710-003A	INST.BOOK(SP),A
7	LYT0378-003A	SHEET(AGREMENT),C
8	YU10350	Q.CARD(JCA)
9	BT-51005-4	WARRANTY INF.
10	BT-51020-2	REGIST.CARD
11	LY32210-009A	CD ROM
△ 12	LY20739-001A	AC ADAPTER,AP-V10U
△ 13	LY31587-001A	BATTERY PACK,BN-V408U
14	QAM0211-001	CABLE ASSY,AUDIO/VIDEO CABLE
15	QQR0918-002	CORE FILTER
16	LY20186-001A	SHOULDER STRAP
17	LY42129-001A	REMOTE CONTROL UNIT,RM-V715U
18	—	BATTERY,AAA(R03),X2
19	LY42182-001A	LENS CAP
20	QPGA017-03005	POLY BAG
21	QQR0490-002	CORE FILTER,B,C
△ 25	LYT0531-001A	INST.BOOK(SOFT.SETUP),C
△ 26	LYT0531-002B	INST.BOOK(SOFT.OPE.EN),C
27	QAM0084-001	PC CABLE,C
28	QQR0491-002	CORE FILTER,C

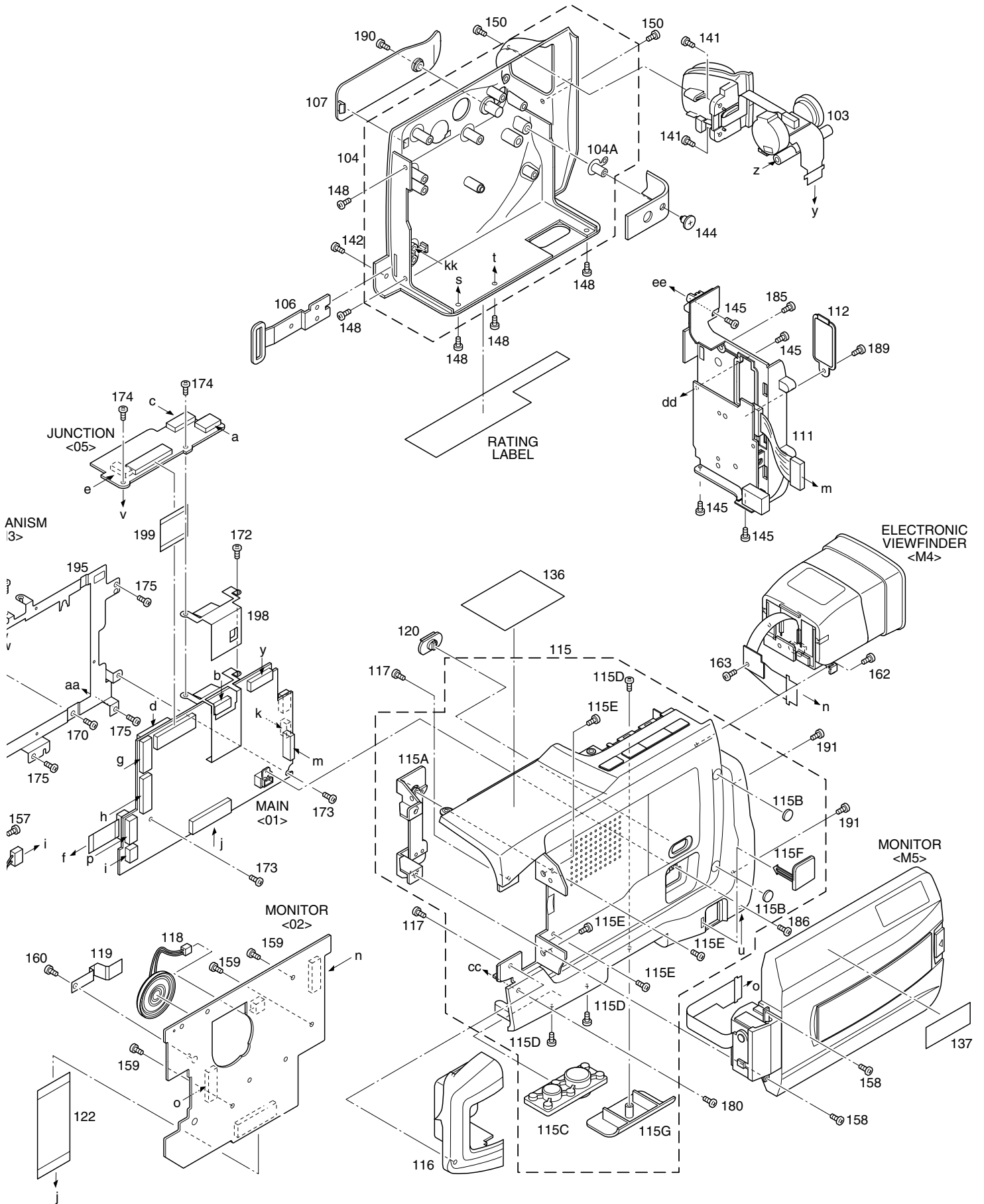
• INSTRUCTIONS

EN ENGLISH
 FR FRENCH
 SP SPANISH

MODEL	MARK
GR-DVL315U	A
GR-DVL317U	B
GR-DVL517U	C

5.2 FINAL ASSEMBLY <M2>



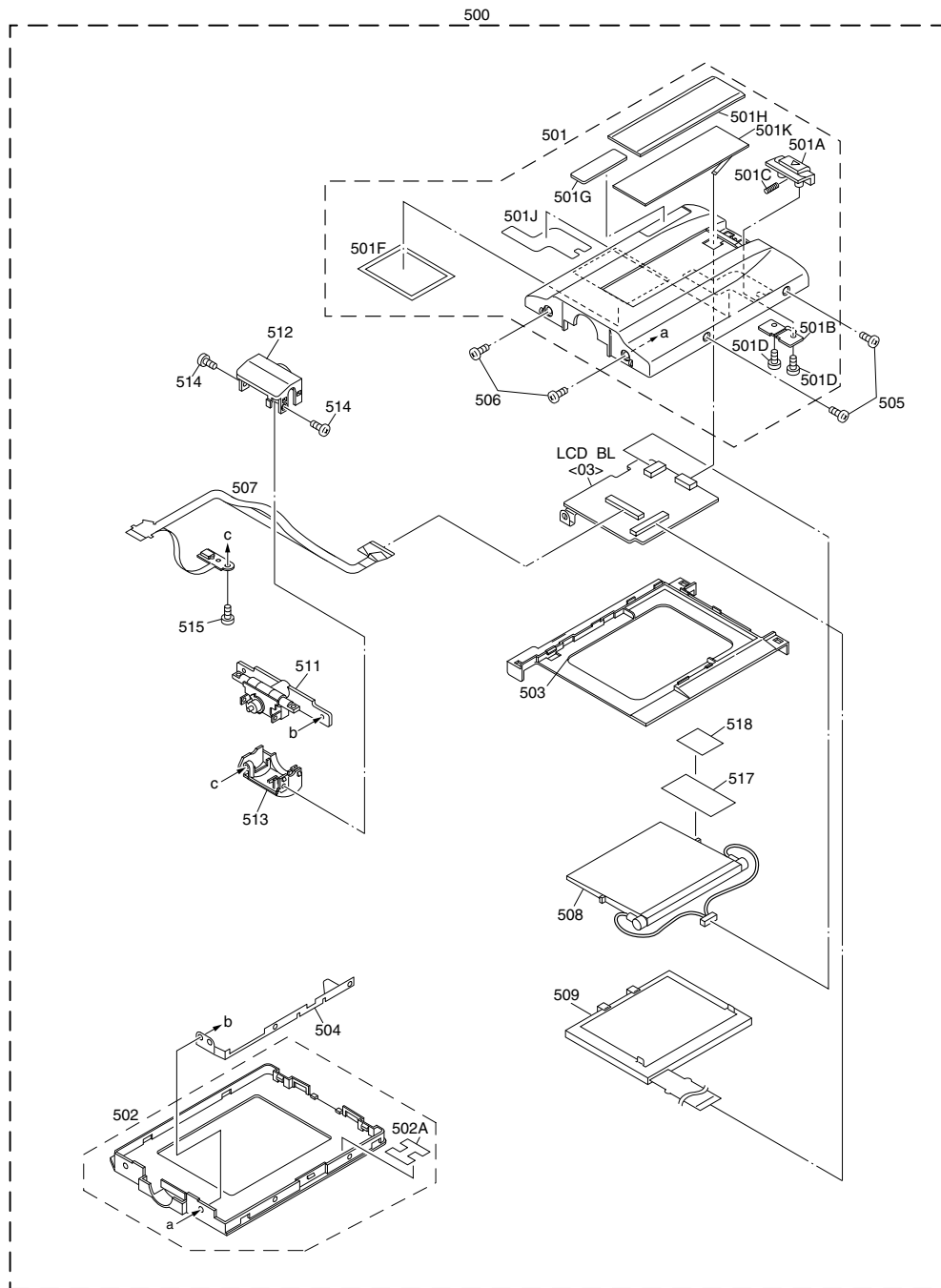


#	△ REF No.	PART No.	PART NAME, DESCRIPTION

FINAL ASSEMBLY <M2>			
101	LY20706-001C		LOWER CASE ASSY
101A	LY32098-001A		WINDOW(IR)
101B	LY30018-063A		SPECIAL SCREW
101C	LY32099-001C		COVER(JACK)
102	LY20697-001A		ARM ASSY,A
	LY20697-001B		ARM ASSY,B,C
102A	LY30001-023A		TENSION SPRING
102B	LY30029-0C7A		SPACER(A)
102C	LY30029-0E9A		SPACER(A)
103	LY20693-001A		ZOOM UNIT
104	LY20704-001A		CASSETTE COVER ASSY
104A	LY40592-001A		CAP(GRIP BELT)
105	LY20575-004B		GRIP BELT
106	LY42891-001A		HOOK(GRIP)
107	LY32092-001A		COVER(AJUST),C
	LY32092-003A		COVER(AJUST),A
	LY32092-004A		COVER(AJUST),B
110	LY32093-001A		COVER(ZOOM)ASSY
111	LY20725-001A		REAR UNIT
112	LY41691-001A		COVER(JIG)
115	LY20707-001B		UPPER CASE(2.5)ASSY,A
	LY20717-001B		UPPER CASE3/3.5ASSY,B
	LY20717-001C		UPPER CASE3/3.5 ASSY,C
115A	LY32101-001A		BRACKET
115B	LY40664-001A		SPACER,X2
115C	LY31019-001A		BASE
115D	LY30018-084A		SPECIAL SCREW,X3
115E	LY30018-0A8A		SPECIAL SCREW,X4
115F	LY42866-001A		CAP(DC JACK)
115G	LY32110-001A		COVER
116	LY32106-001A		COVER(HINGE)
117	LY30018-084A		SPECIAL SCREW,X2
118	QAS0048-001		SPEAKER,A,B
	QAS0071-001		SPEAKER,C
119	LY42167-001A		PLATE(SPK)
120	LY42919-001A		KNOB(SLIDE)
122	QUQ105-4007AA		FFC WIRE,MAIN CN101-MONI CN761
△ 130	LY20711-001A		FRONT COVER ASSY
130A	LY32111-001A		HOOD
130B	LY32112-001A		RING
130C	LY32113-001A		HOOD(SCREW)
130D	LY42953-001A		MARK
130E	LY30018-052A		SPECIAL SCREW,X3
132	LY31617-002A		DC LIGHT ASSY
132A	YQ44266		LAMP
133	LY32114-001A		MICROPHONE
134	LY40698-002A		LABEL(HOUSING)
135	LY40699-002A		LABEL(PUSH)
136	LY43093-008A		STICKER(TOP),B,C
	LY43093-012A		STICKER(TOP),A
137	LY43094-001A		STICKER(SIDE)
140	LY30018-084A		SPECIAL SCREW,X3
141	LY30018-096A		SPECIAL SCREW,X2
142	LY30018-038A		SPECIAL SCREW
143	LY30018-084A		SPECIAL SCREW
144	LY30018-0D1A		SPECIAL SCREW
145	LY30018-084A		SPECIAL SCREW,X4
146	LY30018-084A		SPECIAL SCREW,X2
147	LY30018-038A		SPECIAL SCREW,X2

#	△ REF No.	PART No.	PART NAME, DESCRIPTION
148	LY30018-038A		SPECIAL SCREW,X5
149	LY30018-084A		SPECIAL SCREW,X2
150	LY30018-084A		SPECIAL SCREW,X2
151	LY30018-023A		SPECIAL SCREW
155	LY30018-084A		SPECIAL SCREW
156	LY30019-029B		SPECIAL SCREW,X2
157	LY30018-023A		SPECIAL SCREW
158	LY30018-090A		SPECIAL SCREW,X2
159	LY30018-023A		SPECIAL SCREW,X3
160	LY30018-006B		SPECIAL SCREW
162	LY30018-063A		SPECIAL SCREW
163	LY30018-064A		SPECIAL SCREW
170	LY30019-026A		SPECIAL SCREW,X2
171	YQ43893-4		MINI SCREW
172	YQ43893-4		MINI SCREW
173	LY30019-033A		SPECIAL SCREW,X2
174	QYSPSPT1730Z		SCREW,X2
175	LY30018-066A		SPECIAL SCREW,X4
176	LY30018-084A		SPECIAL SCREW
177	LY30018-084A		SPECIAL SCREW,X2
178	LY30018-084A		SPECIAL SCREW,X3
179	LY30018-084A		SPECIAL SCREW,X5
180	LY30018-092A		SPECIAL SCREW
185	LY30018-065A		SPECIAL SCREW
186	LY30018-006B		SPECIAL SCREW
187	LY30018-092A		SPECIAL SCREW
188	LY30018-065A		SPECIAL SCREW
189	LY30018-037A		SPECIAL SCREW
190	LY30018-037A		SPECIAL SCREW
191	LY30018-084A		SPECIAL SCREW,X2
195	LY20696-001A		BRACKET(MECHA)
196	LY42846-001A		BKT(OP) ASSY
196A	LY42796-001A		BUSH,X2
198	LY32081-001A		SHIELD PLATE
199	WJT0044-001A		E-CARD WIRE,MAIN CN113-JUNC CN571
200	LY43092-001A		PLATE
- OPTICAL BLOCK SECTION -			
251	J7A-133A		OPTICAL BLOCK ASSY
251A	LY30723-001B		ZOOM MOTOR
251B	LY30724-001B		FOCUS MOTOR
251C	LY30727-002A		SCREW,X5
251D	LY30727-001A		SCREW,X2
251E	LY42936-001A		OPTICAL LPF
251F	LY31639-001A		SPACER RUBBER
251G	QYSPSGU1750Z		SCREW,X2
251H	LY32160-001A		IRIS MOTOR
251J	YS40168E		CCD BASE ASSY

5.3 MONITOR ASSEMBLY <M5> [GR-DVL517U]



▲ REF No. PART No. PART NAME, DESCRIPTION

MONITOR ASSEMBLY <M5>

# ▲	REF No.	PART No.	PART NAME, DESCRIPTION
△	500	LYH20246-004A	MONITOR ASSY
△	501	LY20721-001B	MONITOR COVER(3.5)ASSY
	501A	LY31620-001A	KNOB(LOCK 1)
	501B	LY42180-001A	KNOB(LOCK 2)
	501C	LY30002-044A	COMPRESSION SPRING
	501D	LY30018-084A	SPECIAL SCREW,X2
	501F	LY40559-001A	SHIELD SHEET
	501G	LY42883-001A	MARK
	501H	LY32121-001B	MODEL
	501J	LY42386-001A	EARTH MON
	501K	LY42193-001A	EL(WINDOW)
	502	LY20598-002A	MONITOR CASE ASSY

▲ REF No. PART No. PART NAME, DESCRIPTION

	502A	LY42388-001A	EARTH MON(2)
	503	LY20568-001A	HOLDER(3.5WB)
	504	LY31622-001A	BRACKET(EARTH)
	505	QYSPSP1730R	SCREW,X2
	506	QYSLSP2040D	SCREW,X2
	507	LY31743-001A	MONITOR FPC ASSY
	508	LQQ0081-001	BACK LIGHT
	509	QLD0096-002	LCD MODULE
	511	LY32079-001A	HINGE ASSY
	512	LY32088-001A	HINGE COVER(1)
	513	LY32089-001A	HINGE COVER(2)
	514	LY30018-058A	SPECIAL SCREW,X2
	515	LY30018-023A	SPECIAL SCREW
	517	LY30029-0A5A	SPACER(A)
	518	PU59915-105	#500 SPACER0.01